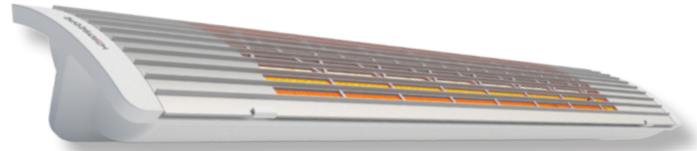
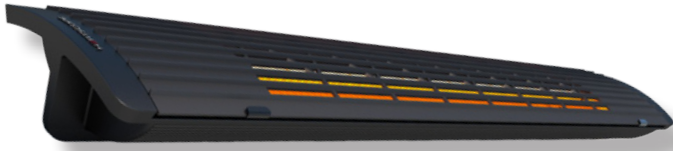


HEATSCOPE® NEXT/PURE

Recommended retail prices (RRP), net. plus VAT – all prices are subject to delivery costs ex works Sauerlach, Germany.

HEATSCOPE® NEXT, IP25

convex shaped black coated resp. silver anodized fin front screen · black resp. white coated aluminium body · energy efficient twin carbon heating elements · patent reflector heating system with air conditioned back · ON/OFF + two manually switchable power stages (100%, 50%) · visible light: < 600 lumen · max. heating output in < 20 sec. · mounting accessories for wall or ceiling mounting included

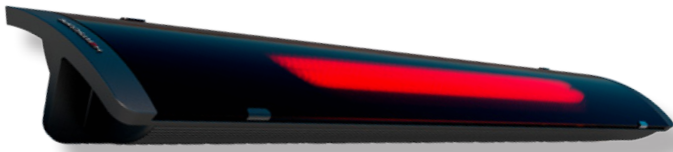


HEATSCOPE® PURE, IP65

convex shaped black resp. white industrial ceramic glass front screen (NEXTREMA® by SCHOTT®) · black resp. white coated aluminium body · energy efficient twin carbon heating elements · patent reflector heating system with air conditioned back · ON/OFF + two manually switchable power stages (100%, 50%) · visible light: < 300 lumen · max. heating output in < 30 sec. · mounting accessories for wall or ceiling mounting included



reddot design award winner



HEATSCOPE® NEXT/PURE – manual regulation, 4-core cable

SPECIFICATIONS: ON/OFF + two manual switchable power stages (100% or 50%) for use with smart home systems or external switch (somfy, Elsner, KNX etc.).

Info EU regulation 2015/1188 Ecodesign Directive 2009/125/EG:

As per EU regulation 2015/1188 Ecodesign Directive 2009/125/EG the operation of HEATSCOPE® radiant heaters during the use in closed rooms obligatory has to be effected through a certified thermostat control system (e.g. DEVlreg™).

art.-no.	colour	power	weight	measurements	price
MHS-NM3000AB.100	black	3000 W	6,5 kg	1044 x 166 x 87 mm	1.091,60 €
MHS-NM3000WT.100	white	3000 W	6,5 kg	1044 x 166 x 87 mm	1.175,63 €
MHS-PE3000AB.100	black	3000 W	7,5 kg	1044 x 166 x 87 mm	1.209,24 €
MHS-PE3000WT.100	white	3000 W	7,5 kg	1044 x 166 x 87 mm	1.343,70 €

HEATSCOPE® PURE+

Recommended retail prices (RRP), net. plus VAT – all prices are subject to delivery costs ex works Sauerlach, Germany.

HEATSCOPE® PURE+, IPX5

convex shaped black resp. white industrial ceramic glass front screen (NEXTREMA® by SCHOTT®) · convex shaped black coated resp. silver anodized fin front screen · black resp. white coated aluminium body · energy efficient twin carbon heating elements · patent reflector heating system with air conditioned back · ON/OFF + two manually switchable power stages (100%, 50%) · visible light: < 300 lumen (front-glass), < 600 lumen (frontgrid) · max. heating output in < 15-30 sec. · mounting accessories for wall or ceiling mounting incl. (see below)



HEATSCOPE® PURE+ – manual regulation, 4-core cable

SPECIFICATIONS: ON/OFF + two manual switchable power stages (100% or 50%) for use with smart home systems or external switch (somfy, Elsner, KNX etc.).

Info EU regulation 2015/1188 Ecodesign Directive 2009/125/EG:

As per EU regulation 2015/1188 Ecodesign Directive 2009/125/EG the operation of HEATSCOPE® radiant heaters during the use in closed rooms obligatory has to be effected through a certified thermostat control system (e.g. DEVIreg™).

art.-no.	colour	power	weight	measurements	price
MHS-PH3000AB.100	black	3000 W	6,5 kg (with grid) 7,5 kg (with glass)	1044 x 166 x 87 mm	1.343,70 €
MHS-PH3000WT.100	white	3000 W	6,5 kg (with grid) 7,5 kg (with glass)	1044 x 166 x 87 mm	1.427,73 €

HEATSCOPE® PURE+ MOUNTING EQUIPMENT – for wall and ceiling installation included

The HEATSCOPE® PURE+ can be installed with the included color corresponding bracket for wall or ceiling mounting. The heater is fixed with a clamp bar. This bar is placed on the back of the housing in a fitting groove.

With the hinge joint the heater will be adjusted in the perfect heating corridor angle afterwards.

Mounting bracket
with hinge joint for stepless ad-
justment of the HEATSCOPE®



Sizes:
Width (clamp bar): 11,0 cm
Height (straight pos.): 12,8 cm
Depth (wall mounting): 5,5 cm

INCLUDED



HEATSCOPE® SMART

Recommended retail prices (RRP), net. plus VAT – all prices are subject to delivery costs ex works Sauerlach, Germany.

SMARTBOX is THE control unit for HEATSCOPE® PURE, PURE+ and NEXT heaters!

Just mount it between power supply and heater – and it's possible to control the HEATSCOPE® heater with the included IR remote control, to switch the PURE ON and OFF, to regulate it down on 50% power or to regulate it back again on full 100% output.



INCLUDED



IR control unit HEATSCOPE®

Convex formed black or white translucent front screen · black or white housing (corresponding with the heater) · controlled via HEATSCOPE® infrared remote control or with somfy® I/O · mounting panel included for installation with PURE heater · remote control + batteries within scope of delivery (excl. somfy® I/O) · automatic shutdown after 4, 6 or 8 hours (deactivation possible) · idea + design: Studio Bjørn Blisse

art.-no.	colour	power supply	weight	measurements	price
MHS-SBOXIWT.100	white	220–240 VAC~	0,35 kg / 0,51 kg	100 x 170 x 35,5 mm	234,45 €
MHS-SBOXIAB.100	black	220–240 VAC~	0,35 kg / 0,51 kg	100 x 170 x 35,5 mm	234,45 €

I/O control unit somfy®

Convex formed black or white translucent front screen · black or white housing (corresponding with the heater) · made for integration in somfy® I/O systems (somfy® I/O remote control not included in scope of delivery) · mounting panel included for installation with PURE heater · idea + design: Studio Bjørn Blisse.

art.-no.	colour	power	weight	measurements	price
MHS-SBOXSWT.100	white	220–240 VAC~	0,35 kg / 0,51 kg	100 x 170 x 35,5 mm	352,10 €
MHS-SBOXSAB.100	black	220–240 VAC~	0,35 kg / 0,51 kg	100 x 170 x 35,5 mm	352,10 €

HEATSCOPE® EXTRAS

Recommended retail prices (RRP), net. plus VAT – all prices are subject to delivery costs ex works Sauerlach, Germany.

Only for PURE+, PURE & NEXT heaters

HEATSCOPE® Extensions – ceiling suspensions for PURE, PURE+ and NEXT design heaters

If you have a higher ceiling (over 3 m) just install the new PURE, PURE+ and NEXT extensions between mounting bracket and hinge joint.

Of course you can combine the different lengths of the extensions to every individual length which is needed (in 10cm steps) for you special installation environment. For this just use the extension adapter MHS-PN-DAHADAP.



Extensions/Fixing rods PURE, PURE+ and NEXT (for installation of PURE, PURE+ and NEXT heaters)

ceiling suspensions for the design heaters PURE, PURE+ and NEXT · length: 10 cm, 30 cm or 50 cm · adapter available to combine several extensions to one piece · scope of delivery: suspension in black or white, installation tophat, connection screws

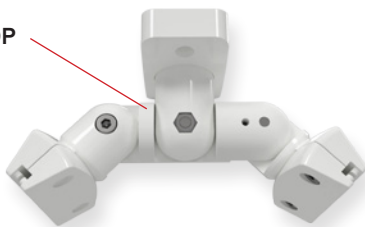
To connect two extensions to one unit you will need the adapter MHS-PN-DAHADAP.

art.-no.	colour	material	weight	measurements	price
MHS-PN-DAH10-AB	black	aluminium coated	0,16 kg	100 x ø 40 mm	57,98 €
MHS-PN-DAH10-WT	white				
MHS-PN-DAH30-AB	black	aluminium coated	0,38 kg	300 x ø 40 mm	71,43 €
MHS-PN-DAH30-WT	white				
MHS-PN-DAH50-AB	black	aluminium coated	0,50 kg	500 x ø 40 mm	74,79 €
MHS-PN-DAH50-WT	white				
MHS-PN-DAHADAP	aluminium	aluminium	0,10 kg	50 x ø 38 mm	15,97 €

Coated die-cast aluminum Dual Fixing Rod to adjust two PURE, PURE+ or NEXT heaters

(excl. mounting equipment, which is part of delivery of every heater)

MHS-PN-DOP



The Dual Fixing Rod can also be combined with the extensions



art.-no.	colour	corresp. models	weight	measurements	price p. piece
MHS-PN-DOP-AB	black	all PURE, PURE+ and NEXT models	0,25 kg	140 x 40 x 40 mm	83,19 €
MHS-PN-DOP-WT	white	all PURE, PURE+ and NEXT models	0,25 kg	140 x 40 x 40 mm	83,19 €

HEATSCOPE® STAND

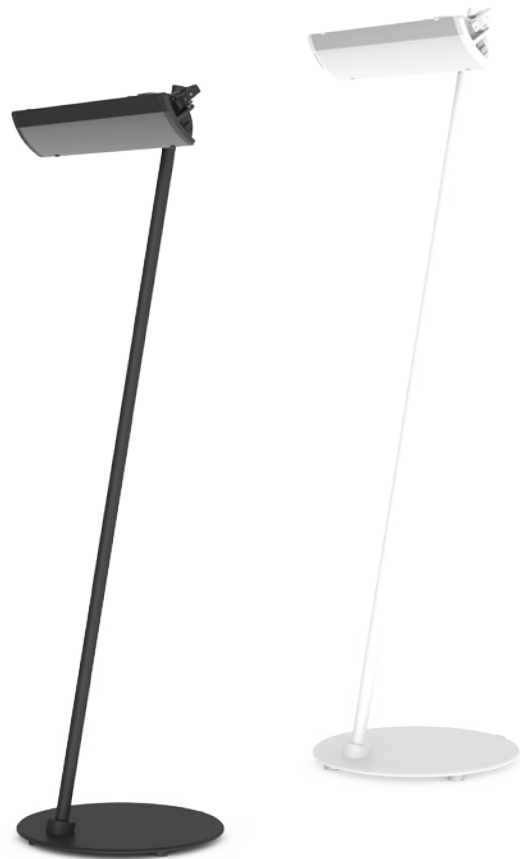
Recommended retail prices (RRP), net. plus VAT – all prices are subject to delivery costs ex works Sauerlach, Germany.

Only
for PURE+,
PURE & NEXT
heaters

HEATSCOPE® STAND – totally flexible,
for model ranges PURE, PURE+ and NEXT heaters

HEATSCOPE® PURE design heaters are generally installed on the wall or ceiling. However, the HEATSCOPE® STAND was developed (by Bjørn Blisse) to use the heater flexibly on the terrace or in the garden,.

With the help of the HEATSCOPE® STAND you can bring heat to every corner of your garden or terrace.



STAND design free standing solution (for free standing installation of PURE, PURE+ and NEXT heaters)

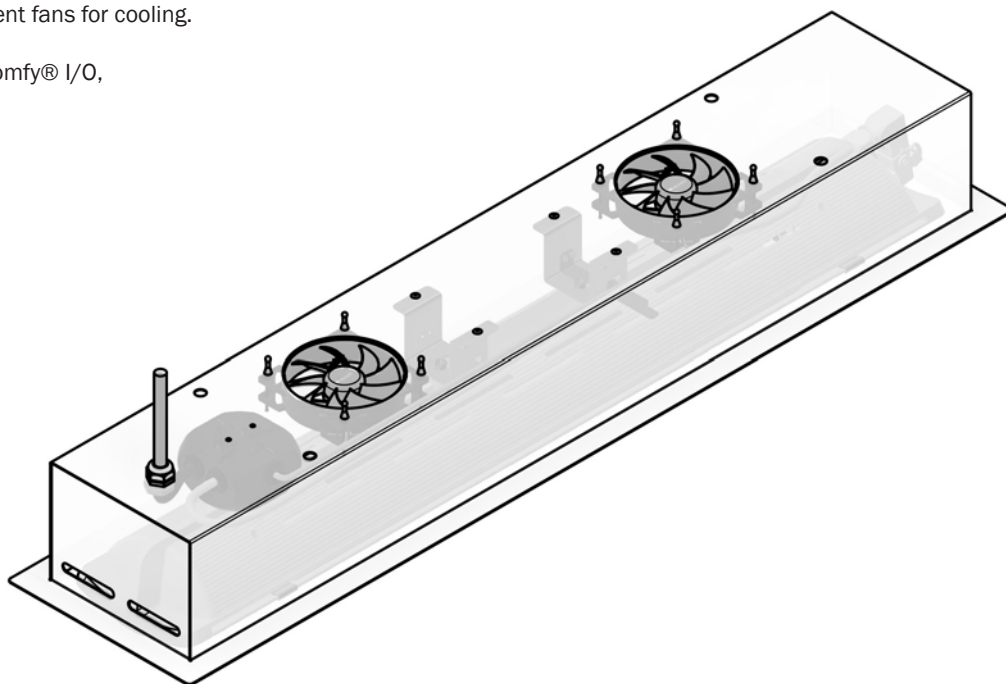
art.-no.	colour	corresp. models	weight	measurements	price p. piece
MHS-PN-STD-AB	ALL BLACK Foot: black Pole: black	MHS-PE3000AB MHS-PH3000AB MHS-NM3000AB	25,5 kg	ø 600 x 2151 mm	839,50 €*
MHS-PN-STD-WT	WHITE Foot: white Pole: white	MHS-PE3000WT MHS-PH3000WT MHS-NM3000WT	25,5 kg	ø 600 x 2151 mm	839,50 €*

* Heater NOT INCLUDED! All prices for STAND design pedestals without heating unit.

HEATSCOPE® BUILT-IN CASSETTE – flush ceiling installation for all PURE, PURE+ und NEXT models

For flush-mounted ceiling installation, HEATSCOPE® has developed a new, unique solution with two integrated silent fans for cooling.

Control of the radiant heater e.g. via somfy® I/O, KNX or Salus radio remote controls.



BUILT-IN CASSETTE, stainless steel powdercoated (for flush ceiling installation of PURE, PURE+ and NEXT radiant heaters)

art.-no.	colour	corresp. models	weight	measurements	price p. piece
MHS-PN-CBL3000AB	RAL 9005 matt black	MHS-PE3000AB MHS-PH3000AB MHS-NM3000AB	6,0 kg	1130 x 250 x 140 mm	1.251,26 €*
MHS-PN-CBL3000WT	RAL 9003 matt white	MHS-PE3000WT MHS-PH3000WT MHS-NM3000WT	6,0 kg	1130 x 250 x 140 mm	1.251,26 €*

* Heater NOT INCLUDED! All prices for built-in cassette without heating unit.

HEATSCOPE® SPOT

Recommended retail prices (RRP), net. plus VAT – all prices are subject to delivery costs ex works Sauerlach, Germany.

HEATSCOPE® SPOT, IP24

black resp. white fin front screen · black resp. white coated aluminium body · energy efficient twin carbon heating elements with satin surface · patent pending reflector heating system with air conditioned back · incl. accessories for wall or ceiling mounting · visible light: < 600 lumen · max. heating output in < 15 sec. · mounting accessories for wall or ceiling mounting included (see below)



HEATSCOPE® SPOT – manual regulation, 4-core cable, for single rooms and outdoor areas

SPECIFICATIONS: ON/OFF + two manual switchable power stages (100% or 50%) for use with smart home systems or external switch.

Info EU regulation 2015/1188 Ecodesign Directive 2009/125/EG:

As per EU regulation 2015/1188 Ecodesign Directive 2009/125/EG the operation of HEATSCOPE® radiant heaters during the use in closed rooms obligatory has to be effected through a certified thermostat control system (e.g. DEVlreg™).

art.-no.	colour	power	weight	measurements	price
MHS-SM2800AB.100	black	2800 W	5,0 kg	884 x 184 x 78 mm	738,66 €
MHS-SM2800WT.100	white	2800 W	5,0 kg	884 x 184 x 78 mm	805,88 €

HEATSCOPE® SPOT – 2 step power stage regulation, remote-controlled, 3-core cable

SPECIFICATIONS: ON/OFF + two switchable remote-controlled power stages (100%, 50%), incl. IR- remote control



art.-no.	colour	power	weight	measurements	price
MHS-SP1600AB.100	black	1600 W	4,0 kg	670 x 184 x 78 mm	671,43 €
MHS-SP2200AB.100		2200 W	4,5 kg	810 x 184 x 78 mm	747,06 €
MHS-SP2800AB.100		2800 W	5,0 kg	884 x 184 x 78 mm	755,46 €
MHS-SP1600WT.100	white	1600 W	4,0 kg	670 x 184 x 78 mm	755,46 €
MHS-SP2200WT.100		2200 W	4,5 kg	810 x 184 x 78 mm	839,50 €
MHS-SP2800WT.100		2800 W	5,0 kg	884 x 184 x 78 mm	839,50 €

HEATSCOPE® MOUNTING ACCESSORIES – for wall or ceiling mounting included

INCLUDED



=



+



+



(+)



assembled mounting equipment: max. height 120 mm

mounting brackets
height approx. 9 mm

hinge joints
height max. 100 mm

mounting plates
height approx. 11 mm

60 mm extension

HEATSCOPE® VISION

Recommended retail prices (RRP), net. plus VAT – all prices are subject to delivery costs ex works Sauerlach, Germany.



HEATSCOPE® VISION, IP44

black resp. white high performance industrial ceramic glass front screen · titan resp. white coated aluminium body · energy efficient twin carbon heating elements with satin surface · patent pending reflector heating system with air conditioned back · ON/OFF + two switchable power stages (100%, 50%) via IR-remote control · visible light: < 300 lumen · max. heating output in < 30–60 sec. · mounting accessories for wall or ceiling mounting included (see below)



HEATSCOPE® VISION – manual regulation, 4-core cable

SPECIFICATIONS: ON/OFF + two manual switchable power stages (100% or 50%) for use with smart home systems or external switch.

Info EU regulation 2015/1188 Ecodesign Directive 2009/125/EG:

As per EU regulation 2015/1188 Ecodesign Directive 2009/125/EG the operation of HEATSCOPE® radiant heaters during the use in closed rooms obligatory has to be effected through a certified thermostat control system (e.g. DEVlreg™).

art.-no.	colour	power	weight	measurements	Price
MHS-VE2200AB.100	black	2200 W	8,0 kg	1160 x 184 x 87 mm	1.175,63 €
MHS-VE3200AB.100		3200 W	11,0 kg	1660 x 184 x 87 mm	1.318,49 €
MHS-VE2200WT.100	white	2200 W	8,0 kg	1160 x 184 x 87 mm	1.385,71 €
MHS-VE3200WT.100		3200 W	11,0 kg	1660 x 184 x 87 mm	1.654,62 €

HEATSCOPE® VISION – 2 step power stage regulation, remote-controlled, 3-core cable

SPECIFICATIONS: ON/OFF + two switchable remote-controlled power stages (100%, 50%), incl. IR- remote control



art.-no.	colour	power	weight	measurements	Price
MHS-VT1600AB.100	black	1600 W	6,0 kg	810 x 184 x 87 mm	973,95 €
MHS-VT2200AB.100		2200 W	8,0 kg	1160 x 184 x 87 mm	1.242,86 €
MHS-VT3200AB.100		3200 W	11,0 kg	1660 x 184 x 87 mm	1.385,71 €
MHS-VT1600WT.100	white	1600 W	6,0 kg	810 x 184 x 87 mm	1.158,82 €
MHS-VT2200WT.100		2200 W	8,0 kg	1160 x 184 x 87 mm	1.427,73 €
MHS-VT3200WT.100		3200 W	11,0 kg	1660 x 184 x 87 mm	1.730,25 €

HEATSCOPE® MOUNTING ACCESSORIES – for wall or ceiling mounting included

INCLUDED



assembled mounting equipment: max. height 120 mm

=



mounting brackets
height approx. 9 mm

+



hinge joints
height max. 100 mm

+



mounting plates
height approx. 11 mm

(+)



60 mm extension

HEATSCOPE® weather shield – perfectly protected and optimally shielded

The HEATSCOPE® weather protection shields effectively protect the radiant heaters from persistent rain in locations that are not covered by a roof. The design – as with the FREE design stand system and the new generation of PURE heaters – is by Bjørn Blisse.

HEATSCOPE® VISION + SPOT heaters must be protected on the rear side against rain and other weather influences. Where this is not possible, a weather protection shield in the corresponding black or white colour is mandatory. A weather protection plate for mounting ceiling is available on request.



Weather shield, powdercoated (mandatory for installation of SPOT + VISION in unsheltered areas without any ceiling)

art.-no.	colour	corresp. models	weight	measurements	Price p.p.
MHS-VS-WS3.AB	aluminium, powdercoated black	SPOT 2200, 2800 VISION 1600	1,02 kg	105 x 980 x 329 mm	167,23 €*
MHS-VS-WS3.WT	aluminium, powdercoated white				
MHS-VS-WS4.AB	aluminium, powdercoated black	VISION 2200	1,30 kg	105 x 1240 x 329 mm	167,23 €*
MHS-VS-WS4.WT	aluminium, powdercoated white				
MHS-VS-WS5.AB	aluminium, powdercoated black	VISION 3200	1,82 kg	105 x 1750 x 329 mm	209,24 €*
MHS-VS-WS5.WT	aluminium, powdercoated white				

* Heater NOT INCLUDED! All prices for weather shields without heating unit.

HEATSCOPE® FREE

Recommended retail prices (RRP), net. plus VAT – all prices are subject to delivery costs ex works Sauerlach, Germany.

Especially for
VISION + SPOT
heaters

HEATSCOPE® FREE – totally independent,
for model ranges VISION and SPOT

HEATSCOPE® ambient and power heaters are generally installed on the wall or ceiling. The HEATSCOPE® FREE design stands were developed (Bjørn Blisse Design Studio) to use the heater flexibly on the terrace or in the garden.

With the help of the HEATSCOPE® FREE you can bring heat to every corner of your garden or terrace. The top of the heater is protected from rain by a concave weather protection shield, and on the inside the integrated anti-tilt system turns the heater off automatically if it should be tilted too far.



FREE design stands for SPOT + VISION heaters (for free standing installation of VISION + SPOT heaters)

art.-no.	colour	corresp. models	weight	measurements	Price p.p.
MHS-FREE-3.5-AB	ALL BLACK foot: black pole: black	MHS-SP2200, 2800 MHS-VT1600	38,7 kg	2163 x 980 x 610 mm	1.368,91 €
MHS-FREE-4-AB		MHS-VT2200	39,3 kg	2163 x 1240 x 610 mm	1.419,33 €
MHS-FREE-5-AB		MHS-VT3200	40,4 kg	2163 x 1750 x 610 mm	1.461,34 €
MHS-FREE-3.5-WT	WHITE foot: white pole: white	MHS-SP2200, 2800 MHS-VT1600	38,7 kg	2163 x 980 x 610 mm	1.368,91 €
MHS-FREE-4-WT		MHS-VT2200	39,3 kg	2163 x 1240 x 610 mm	1.419,33 €
MHS-FREE-5-WT		MHS-VT3200	40,4 kg	2163 x 1750 x 610 mm	1.461,34 €
MHS-FREE-3.5-WB MHS-FREE-3.5-WW	BLACK WOOD WHITE WOOD pole: wood look	MHS-SP2200, 2800 MHS-VT1600	38,7 kg	2163 x 980 x 610 mm	1.461,34€
MHS-FREE-4-WB MHS-FREE-4-WW		MHS-VT2200	39,3 kg	2163 x 1240 x 610 mm	1.511,76 €
MHS-FREE-5-WB MHS-FREE-5-WW		MHS-VT3200	40,4 kg	2163 x 1750 x 610 mm	1.553,78 €

* Heater NOT INCLUDED! All prices for FREE design stands without heating unit.

HEATSCOPE® LIFT

Recommended retail prices (RRP), net. plus VAT – all prices are subject to delivery costs ex works Sauerlach, Germany.

Especially for
VISION + SPOT
heaters

HEATSCOPE® LIFT – lifting system for flush ceiling mounting of VISION und SPOT heaters

For flush-mounted ceiling integration, HEATSCOPE® also offers its own, unique solution: a LIFT system lowers the radiant heater approx. 12 cm from the ceiling opening as soon as it is switched on.

The heater is automatically retracted again after a short cooling-off period (3 minutes).



BOX mounting case



FRAME design blind



LIFT control box

LIFT lifting system incl. control unit (exclusively made for flush-mounted installations of HEATSCOPE® SPOT + VISION heaters)

art.-no.	colour	corresp. models	weight	measurements	Price p.p.
MHS-LFT	coated aluminium	Spot 2200, 2800, Vision 1600, 2200, 3200	4,0 kg	584 x 100 x 207 mm	1.057,98 €

BOX mounting case for ceiling cut-outs (optional accessory – only in combination with HEATSCOPE® LIFT!)

art.-no.	colour	corresp. models	weight	outer measurements	Price p.p.
MHS-SCBL2800WT	RAL9003 signal white**	all Spot 2800 models	5,6 kg	981 x 270 x 196 mm	646,22 €
MHS-VCBL1600WT	RAL9003 signal white**	all Spot 2200, Vision 1600 models	5,2 kg	908 x 270 x 196 mm	612,61 €
MHS-VCBL2200WT	RAL9003 signal white**	all Vision 2200 models	7,0 kg	1258 x 270 x 196 mm	755,46 €
MHS-VCBL3200WT	RAL9003 signal white**	all Vision 3200 models	9,6 kg	1758 x 270 x 196 mm	839,50 €

FRAME design blind for ceiling cut-outs (optional accessory – only in combination with HEATSCOPE® LIFT!)

art.-no.	colour	corresp. models	weight	outer measurements	Price p.p.
MHS-SFR2800WT	RAL9003 signal white**	all Spot 2800 models	2,0 kg	1030 x 281 x 24,5 mm	436,13 €
MHS-VFR1600WT	RAL9003 signal white**	all Spot 2200, Vision 1600 models	2,1 kg	956 x 281 x 24,5 mm	419,33 €
MHS-VFR2200WT	RAL9003 signal white**	all Vision 2200 models	2,4 kg	1306 x 281 x 24,5 mm	461,34 €
MHS-VFR3200WT	RAL9003 signal white**	all Vision 3200 models	2,9 kg	1806 x 281 x 24,5 mm	486,55 €

** Custom made boxes and frames in other RAL colors upon request and with extra charge.

HEATSCOPE® Extensions for extra high ceilings

Installation hardware for mounting on walls and ceilings is always included with all HEATSCOPE® models.

Alongside this included equipment, there is of course other mounting extension hardware available for the HEATSCOPE® SPOT and VISION series – for ceilings of 3 m and more.



Extensions/Fixing rods for SPOT + VISION

art.-no.	colour	corresp. models	weight	measurements	Price p. pair
MHS-VS-DAH6-AB	black	all SPOT + VISION models	0,04 kg	60 x Ø 24 mm	32,77 €
MHS-VS-DAH6-WT	white				
MHS-VS-DAH10-AB	black	all SPOT + VISION models	0,06 kg	100 x Ø 24 mm	41,18 €
MHS-VS-DAH10-WT	white				
MHS-VS-DAH30-AB	black	all SPOT + VISION models	0,19 kg	300 x Ø 24 mm	66,39 €
MHS-VS-DAH30-WT	white				
MHS-VS-DAH50-AB	black	all SPOT + VISION models	0,29 kg	500 x Ø 24 mm	91,60 €
MHS-VS-DAH50-WT	white				

Dual Fixing Rod to adjust two SPOT or two VISION heaters (excl. mounting equipment, which is part of delivery of every heater)

art.-no.	colour	corresp. models	weight	measurements	Price p. pair
MHS-VS-DOP	stainless steel	all SPOT + VISION models	0,18 kg	180 x 50 x 24 mm thickness 2,5 mm	63,03 €

HEATSCOPE® SPARES

Recommended retail prices (RRP), net. plus VAT – all prices are subject to delivery costs ex works Sauerlach, Germany.

HEATSCOPE® spare parts – original equipment

For all radiant heaters in the HEATSCOPE® series: you choose the most suitable model for your individual installation situation – and you'll receive a complete package from us including infrared radiant heater plus hardware.

And if you lose the original mounting hardware? In this case just order new parts from us!



Mounting brackets SPOT + VISION, mounting plates, adjustable hinge joints

art.-no.	colour	corresp. models	weight	measurements	price p.p.
MHS-VS-MH-AB	black	all SPOT + VISION models	0,06 kg	95 x 63 x 11 mm	29,41 €
MHS-VS-MH-WT	white				
MHS-VS-DAHDB-AB	black	all SPOT + VISION models	0,06 kg	90 x 46 x 9 mm	44,54 €
MHS-VS-DAHDB-WT	white				
MHS-VS-DAHGMS-AB	black	all SPOT + VISION models	0,11 kg	100 x Ø 24 mm	83,19 €
MHS-VS-DAHGMS-WT	white				

Mounting brackets PURE, PURE⁺ and NEXT, wall and mounting bracket, hinge joint for stepless adjustment

art.-no.	colour	corresp. models	weight	measurements	price p.p.
MHS-PN-MH-AB	black	all PURE, PURE ⁺ and NEXT models	0,7 kg	105 x 55 x 125 mm	43,70 €
MHS-PN-MH-WT	white	all PURE, PURE ⁺ and NEXT models	0,7 kg	105 x 55 x 125 mm	47,06 €

2-step infrared remote control handheld SPOT + VISION (ON/OFF, 100%, 50%)

art.-no.	colour	corresp. models	weight	measurements	price p.p.
MHS-VS-FBHS-BK-S	black	SPOT(SP) + VISION(VT) and SmartBox IR	0,05 kg (incl. batt.)	173 x 29 x 18 mm	49,58 €