

BROMIC[®]

HEATING

PLATINUM SMART-HEAT™ ELECTRIC HEATERS BY BROMIC

LOW CLEARANCE (LC) CEILING RECESS INSTALLATION INSTRUCTIONS

FOR MODELS 3400 & 2300 W

! WARNING

This heater **MUST** be permanently installed by an authorised/licenced person. Do not perform maintenance, or carry out installation or assembly procedure while electrical power is switched on. Wait 2 hours after switching off the heater before handling.

! WARNING

Joists, beams and rafters shall not be cut or notched to install the heater.

! WARNING

Instructions below are suitable for ceiling surfaces 10-30mm (0.39"-1.2") thick. For ceiling surfaces thicker than 30mm (1.2"), contact Bromic for alternative installation options.

! WARNING

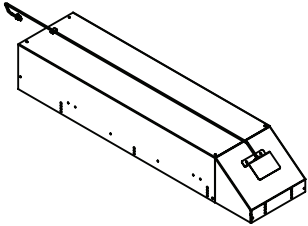
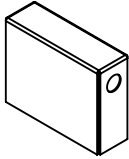
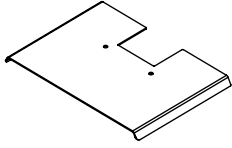
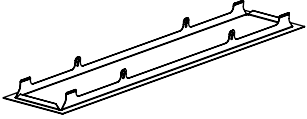
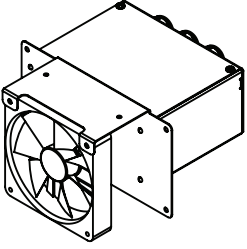
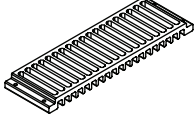
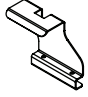

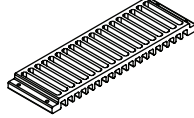

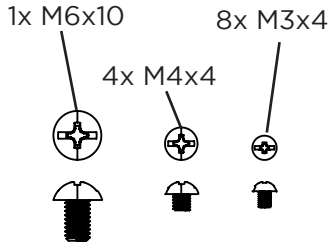
The heater shall, under no circumstance, be covered with insulating material or similar material.

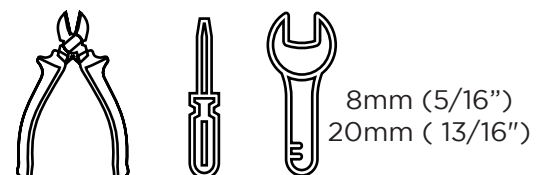
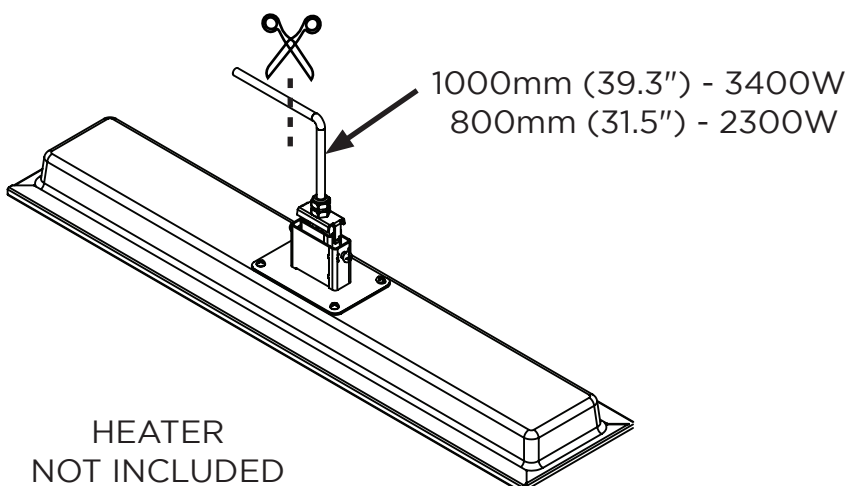
! WARNING

It is important that regular maintenance is carried out on the heater to maintain appearance. Inspect and clean more frequently in adverse conditions such as coastal environments.

! WARNING

In ceiling recess installation, the heater must be completely protected against water contact from above.

| | | | |
|---|---|---|---|
|  CEILING RECESS BOX 1x |  IP COVER 1x |  CEILING RECESS MOUNTING BACKET 2x |  HEATER TRIM 1x |
|  TERMINAL BOX 1x |  VENT COVER BLACK 2x |  VENT COVER TRIM L 2x |  VENT COVER TRIM R 2x |
| |  VENT COVER WHITE 2x |  N2 WAGO CONNECTOR 1x |  1x M6x10 4x M4x4 8x M3x4 HARDWARE |



TOOLS REQUIRED

IMPORTANT

READ THIS MANUAL CAREFULLY. SEE INSIDE COVER FOR IMPORTANT INFORMATION ABOUT THIS MANUAL. KEEP INSTRUCTIONS WITH APPLIANCE FOR FUTURE REFERENCE.

This manual contains important information about the installation, operation, and maintenance of the Low Clearance Ceiling Recess Kit for the Platinum Smart-Heat Electric Heaters. Please pay close attention to the important safety information shown throughout this instruction manual.

Any safety information will be accompanied by the following safety alert symbols:

 DANGER,  WARNING,  IMPORTANT

- Read this manual carefully before installing or servicing this product.
- Improper installation, operation, or maintenance can result in death, severe injury, or property damage.
- This appliance is intended for fixed installation with voltage as specified on the power rating label.
- Installation **MUST** be carried out by a licensed and authorised technician in accordance with local electrical codes.
- The Platinum Smart-Heat™ Electric Heater is intended for domestic and commercial use, unless otherwise specified.
- **The marine grade versions of the LC Ceiling Recess Kit shall be installed for land and coastal environment application ONLY.**
- **The IPX5 marine grade version of the LC Ceiling Recess Kit shall NOT be installed on marine craft.**

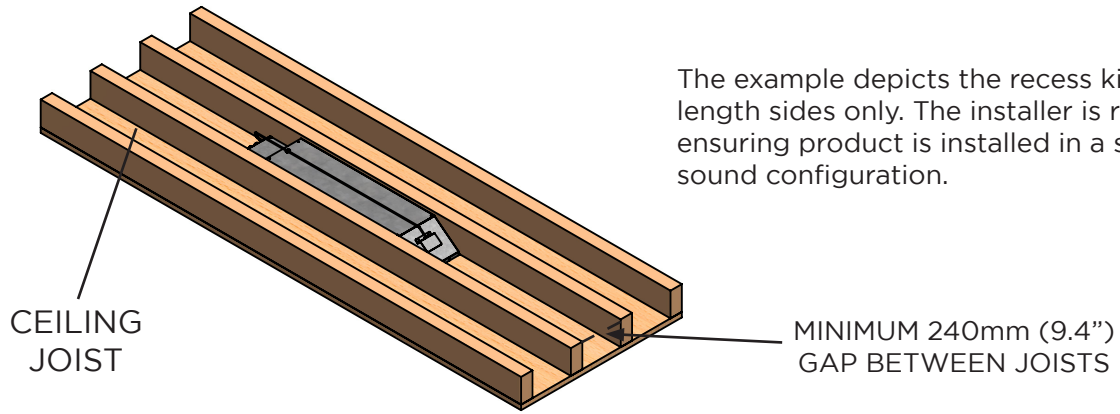
SAVE THESE INSTRUCTIONS

| SPECIFICATIONS | | | | | | | | | |
|--|-------|---|--|--|---|--|--|--|---|
| Model | | LC Ceiling Recess Kit | | | | LC Ceiling Recess Kit Marine | | | |
| Part No. | US/EU | BH3623009 | | BH3623008 | | BH3623011 | | BH3623010 | |
| | AU | 2623009 | | 2623008 | | 2623011 | | 2623010 | |
| Total Output - Kit + Heater | | 2300W | | 3400W | | 2300W | | 3400W | |
| Power connection required (volts/amps) | | 208V - A.C. - 50/60HZ - 11.1A | 220-240 - A.C. - 50/60HZ - 9.6A | 208V - A.C. - 50/60HZ - 16.3A | 220-240 - A.C. - 50/60HZ - 14.2A | 208V - A.C. - 50/60HZ - 11.1A | 220-240 - A.C. - 50/60HZ - 9.6A | 208V - A.C. - 50/60HZ - 16.3A | 220-240 - A.C. - 50/60HZ - 14.2A |
| Overall Dimensions (L x W x H) | | 1039 x 261 x 175 mm (40.9 x 10.3 x 6.9 ") | | 1475 x 261 x 175 mm (40.9 x 10.3 x 6.9 ") | | 1039 x 261 x 175 mm (40.9 x 10.3 x 6.9 ") | | 1475 x 261 x 175 mm (40.9 x 10.3 x 6.9 ") | |
| Weight | | 10kg (22lb) | | 13kg (28.7lb) | | 10kg (22lb) | | 13kg (28.7lb) | |
| Finish | | Brushed Stainless Steel 304 | | | | Brushed Stainless Steel 316 | | | |
| Approval | | ETL: Intertek 5001799, CB/CE-LVD: Intertek 200802166SHA-001/002, SAA: Intertek 200802166SHA-001 | | | | | | | |

Head Office: 10 Phiney Place, Ingleburn, NSW 2565 Australia
 Telephone: 1300 276 642 (within Australia) or +61 2 9748 3900 (from overseas) Fax: +61 2 9748 4289
 Email: info@bromic.com Web: www.bromic.com

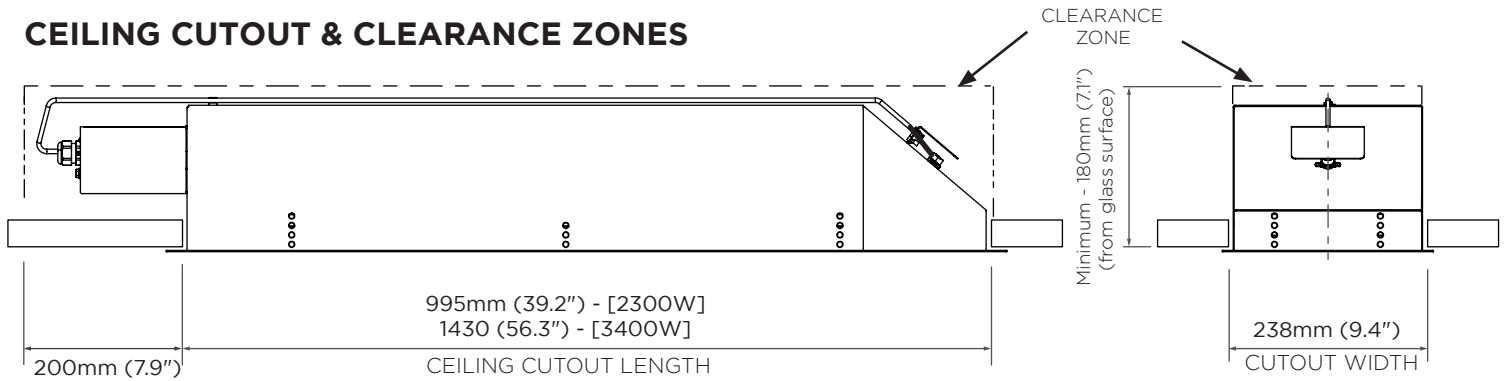
Note: Bromic Pty Ltd reserves the right to make changes to specifications, parts, components and equipment without prior notification. This installation, operation and service manual may not be reproduced in any form without prior written consent from Bromic Pty Ltd.

ISOMETRIC VIEW DEPICTING LOW CLEARANCE RECESS KIT INSTALLATION SETUP OPTIONS

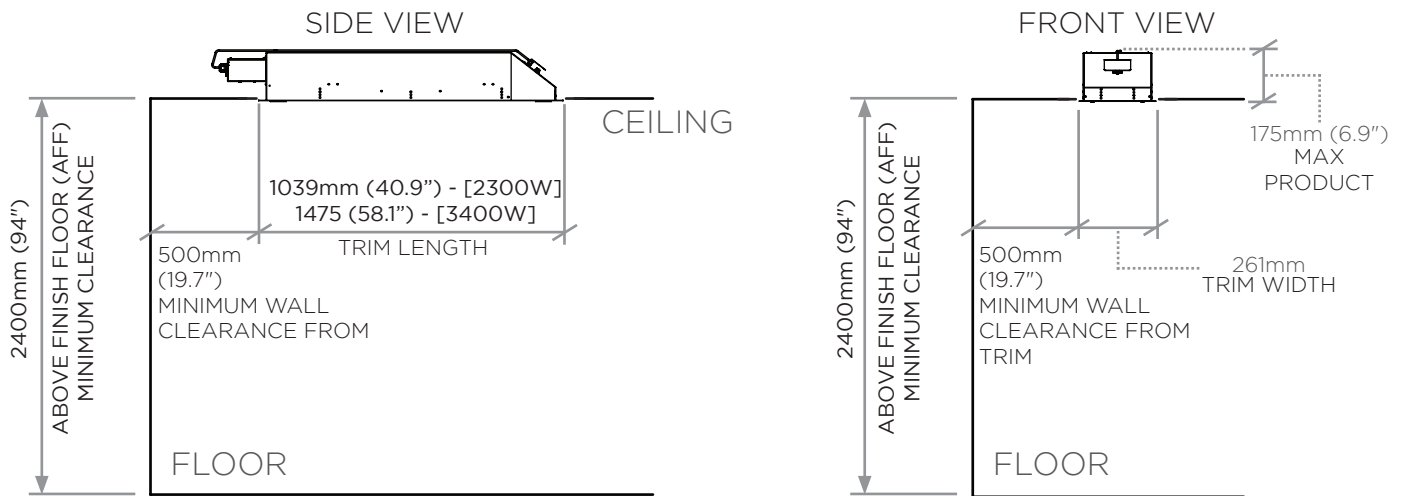


The example depicts the recess kit fixed on the length sides only. The installer is responsible for ensuring product is installed in a structurally sound configuration.

CEILING CUTOUT & CLEARANCE ZONES



ROOM CLEARANCE AND OVERALL



⚠️ WARNING

Minimum vertical ceiling space clearance between the ceiling recess box and ceiling surface must be 180mm (7.1").

Minimum clearance measured from the terminal box end to the nearest surface must be 200mm (7.9").

Minimum clearance from the ceiling cutout and the nearest wall must be 500mm (19.7").

Minimum distance between heaters measured from edge of ceiling cut out must be 500mm (19.7").

Minimum distance between the heater surface and finished floor is 2400mm (94").

Standard Versions

Ensure that the heating unit is not directly exposed to rain or water contact. For the longest product life and to maintain product appearance, mount the heater under cover and protect from rain and weather.

Marine Versions

In a salt-air environment, such as near an ocean, corrosion occurs more quickly than normal. Stainless 316 has been used in the Marine configuration. Salt spray should be cleaned from the heater and recess kit immediately - while the heater and recess kit should undergo cleaning fortnightly to ensure maximum longevity. Use a qualified technician to check yearly for corroded areas and remove from service when heater safety is compromised.

INSTRUCTIONS START HERE

1. Prepare ceiling cut-out (a) with dimensions:

3400W - 1430mm x 240mm (56.3" X 9.45")
2300W - 1000mm x 240mm (39.4" X 9.45")

Heater must be installed with heater surface at least 2400mm (94") above the finished floor (AFF), with minimum clearance measured from the terminal box end to the nearest surface being 200mm (7.9"). Minimum heater to heater distance measured from edge of heater must be 500mm (19.7"). See the install dimensions below.

2. Fasten the frame into ceiling with 6x appropriate fasteners along the long edge.

NOTE: The fastening screws must be inserted into a strong material that can easily support the weight of the assembly. Your installation may require re-enforcing before the frame can be safely installed.



IMPORTANT

It is the installers responsibility to ensure that the installation site is structurally suitable for the mass of the heater installation being 17.5kg [2300W] or 23kg [3400W].

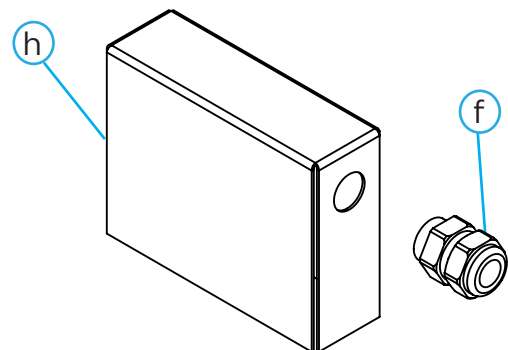
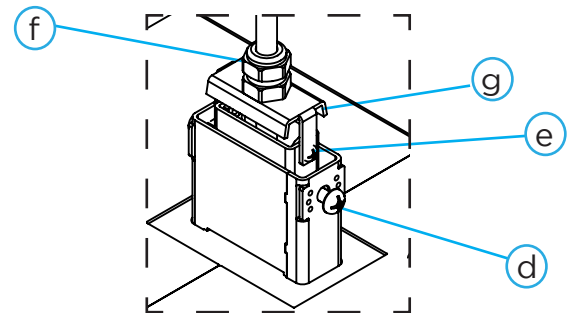
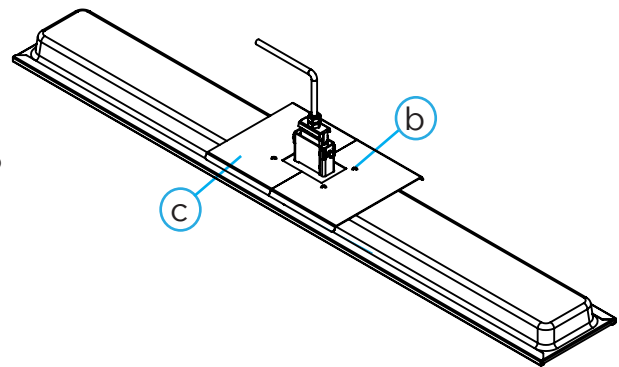
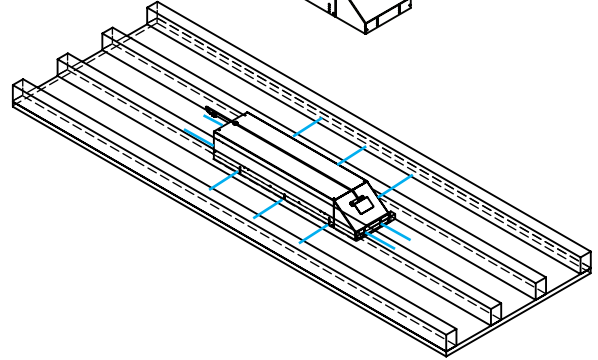
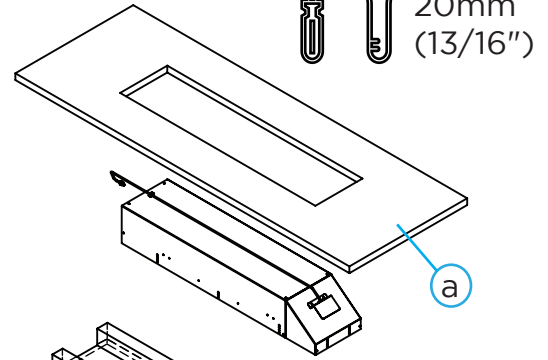
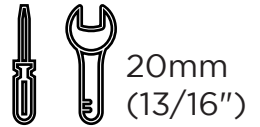
3. Carefully remove the 4 x M5 screws (b) fastening the heater to the mounting bracket at the back of the heater.

Once screws have been removed, zero load must be applied to the mounting bracket before the screws are replaced. Place the 2 halves of the ceiling recess mounting plate (c) over the screw holes. Re-insert the screws.

4. Remove and gently place down the 2x M6x14mm screws (d) and the 2x M4x8mm screws (e). Loosen the cable gland (f) using a 20mm (13/16") spanner and remove the top bracket (g) from the heater. Set the screws aside.

NOTE: During this process the strain relief device has been removed - Care must be taken to not apply significant load to the cable as this could stress the internal cable crimps and permanently damage the heater.

5. Fasten the cable gland (f) into the IP cover (h). This must be done to prevent damage on the cable and ensure sufficient IP protection.



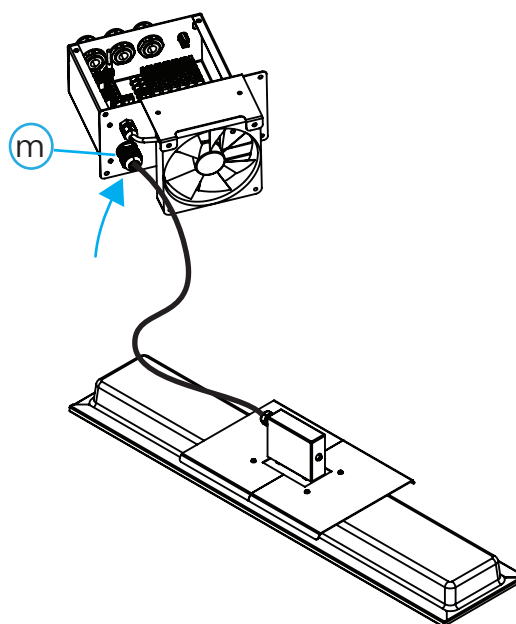
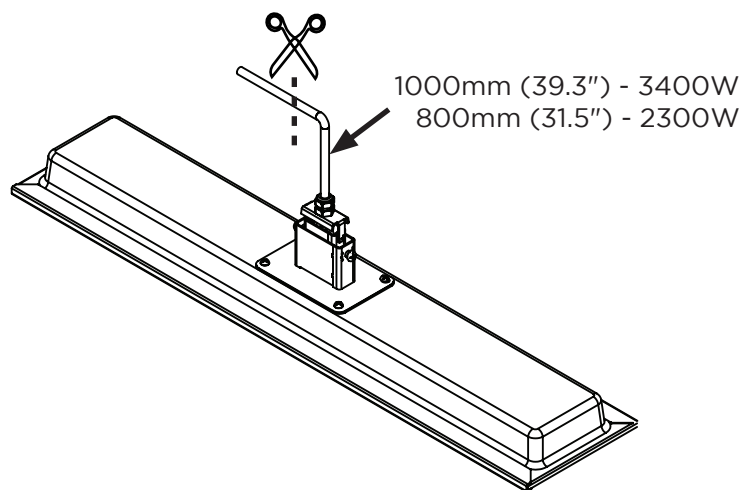
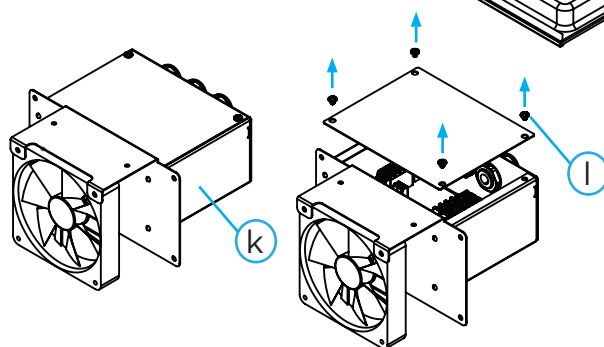
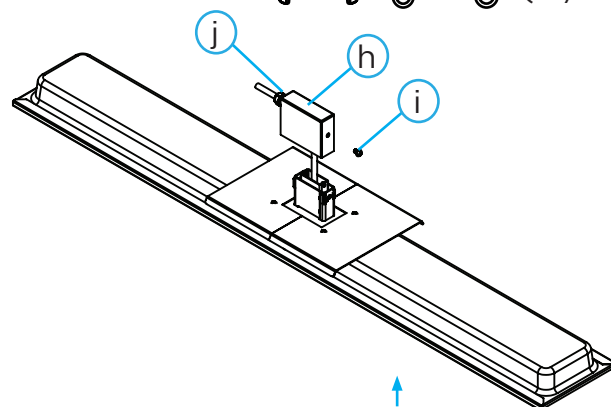
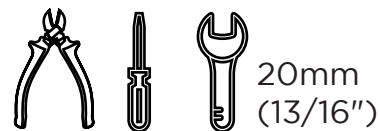
CEILING RECESS INSTALLATION INSTRUCTIONS CONTINUED ...

5. Feed the heater cable through the IP cover (h) and through the cable gland (f). Attach the IP bracket to the heater using the M6 x 10mm screw (i). When in location, ensure the cable gland (j) is fastened using a 20mm (13/16") spanner.

NOTE: The cable gland (j) provides the role of strain relief and must be sufficiently tightened.

6. Remove and set aside the lid of the terminal box (k) by removing the 4 X M4 screws (l) and set aside for reassembly.

7. Cut down the heater cable to 1000mm (39.3") for the 3400W unit, or 800mm (31.5") for the 2300W unit and feed it into the 16mm cable gland (m) located on the terminal box.

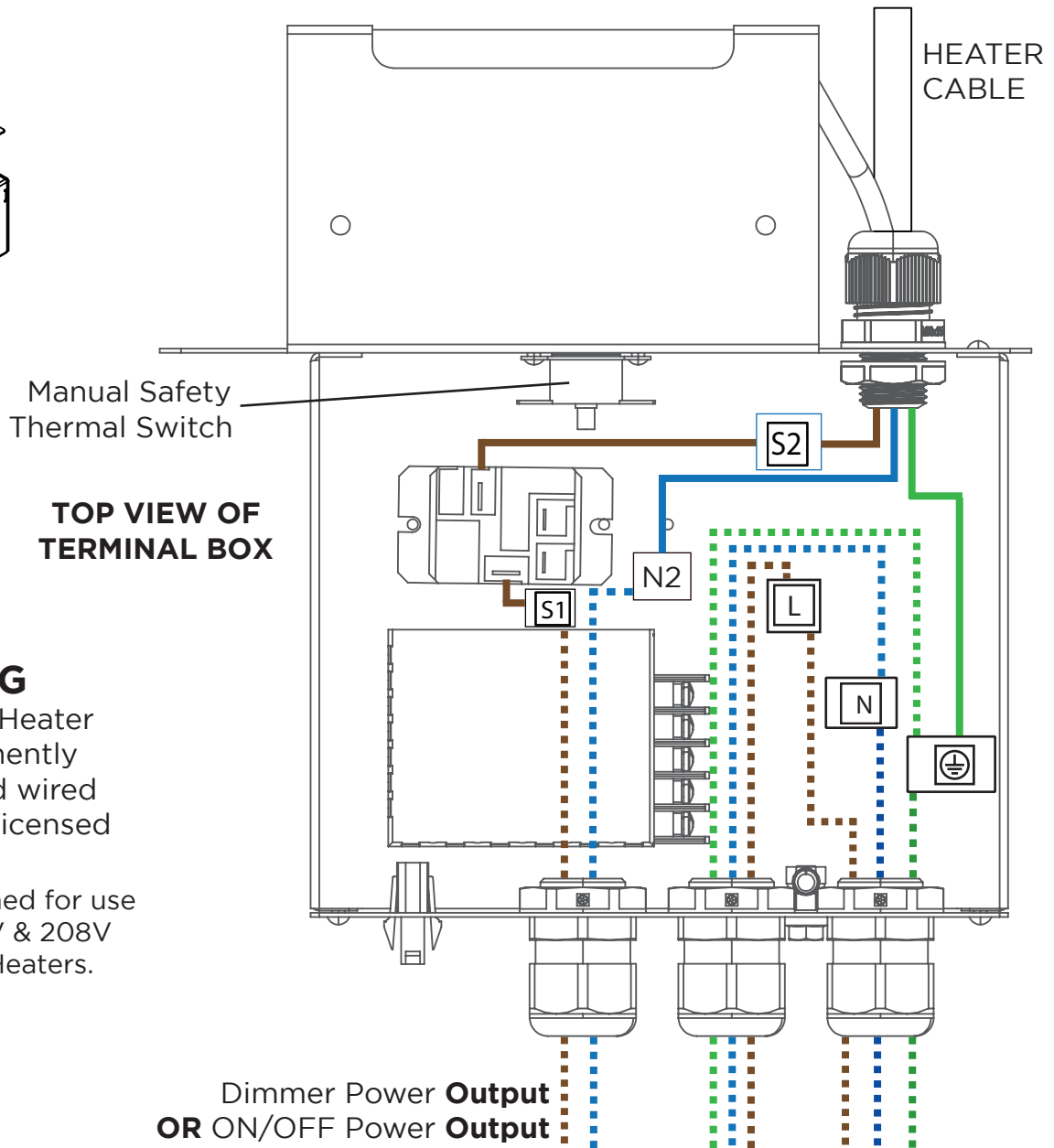
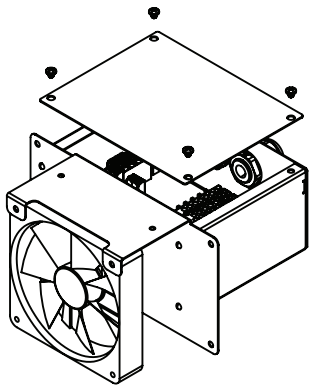


For installs using a Bronic Dimmer OR On/Off Controller, please refer to the electrical diagram on page 6.

For installs using a manual wall switch, please refer to the electrical diagram on page 8.

WIRING DIAGRAM FOR LOW CLEARANCE CEILING RECESS KIT (FOR USE WITH DIMMER OR ON/OFF)

BELOW IS A SIMPLIFIED DIAGRAM OF THE TERMINAL BOX. ALL CONNECTIONS ADJUSTED BY THE INSTALLER ARE DISPLAYED. ITEMS NOT DISPLAYED SHALL NOT BE MODIFIED.



**TOP VIEW OF
TERMINAL BOX**

WARNING

AC Single Phase Heater must be permanently installed and hard wired by an authorised/licensed person.

This product is designed for use with both 220-240V & 208V Platinum Electric Heaters.

WIRES DENOTED BY DASHED LINES ARE SUPPLIED BY THE INSTALLER.

Dimmer Power **Output**
OR ON/OFF Power **Output**

Dimmer Power **Input**
OR ON/OFF Power **Input**

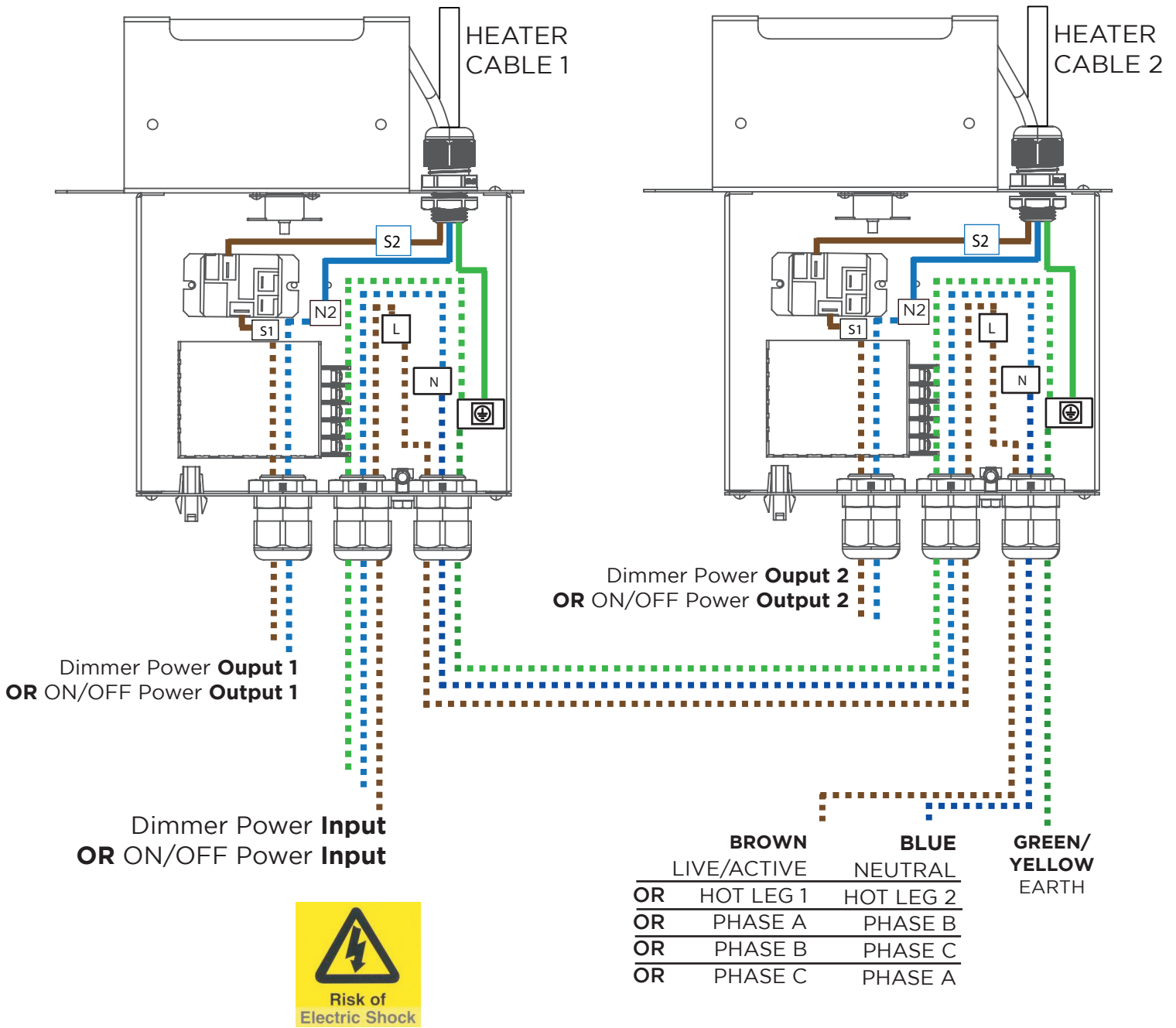
| | BROWN LIVE/ACTIVE | BLUE NEUTRAL | GREEN/YELLOW EARTH |
|----|----------------------|-----------------|-----------------------|
| OR | HOT LEG 1 | HOT LEG 2 | |
| OR | PHASE A | PHASE B | |
| OR | PHASE B | PHASE C | |
| OR | PHASE C | PHASE A | |

NOTES:

- For wiring instructions using Bromic SmartHeat Electric Wireless Dimmer BH3130011-1 or ON/OFF Controller BH3130010-1 refer to the instructions provided with the controller.
- Connecting to a 3-phase power system can only be done for 208V versions of the Platinum Electric Heater.

WIRING DIAGRAM FOR LOW CLEARANCE CEILING RECESS KIT (FOR USE WITH 2 HEATERS AND DIMMER OR ON/OFF)

BELOW IS A SIMPLIFIED DIAGRAM OF THE TERMINAL BOX.
ALL CONNECTIONS ADJUSTED BY THE INSTALLER ARE DISPLAYED.
ITEMS NOT DISPLAYED SHALL NOT BE MODIFIED.



WARNING

AC Single Phase Heater must be permanently installed and hard wired by an authorised/licensed person.

This product is designed for use with both 220-240V & 208V Platinum Electric Heaters.

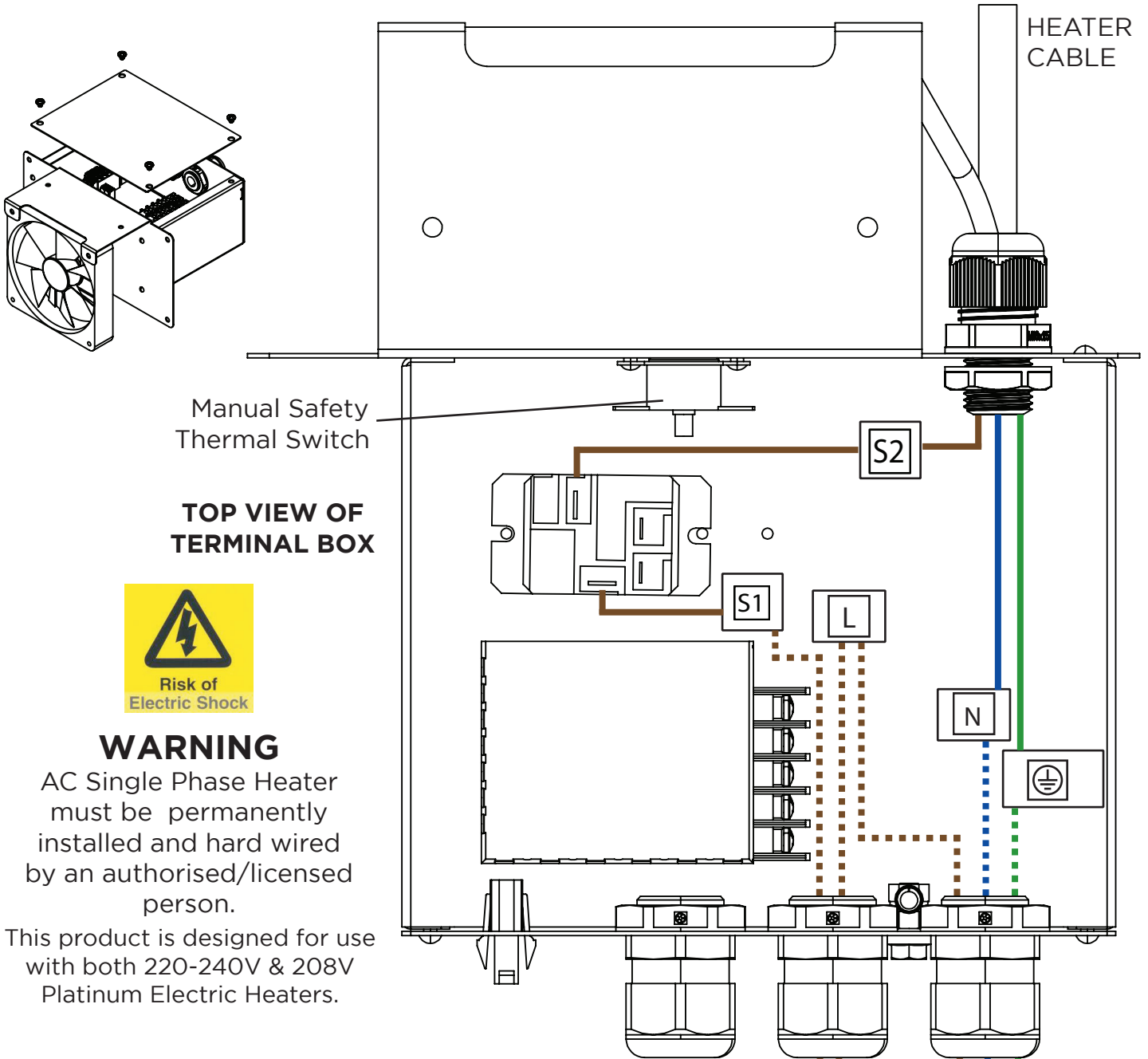
WIRES DENOTED BY DASHED LINES ARE SUPPLIED BY THE INSTALLER.

NOTES:

- For wiring instructions using Bromic SmartHeat Electric Wireless Dimmer BH3130011-1 or ON/OFF Controller BH3130010-1 refer to the instructions provided with the controller.
- Connecting to a 3-phase power system can only be done for 208V versions of the Platinum Electric Heater.

WIRING DIAGRAM FOR LOW CLEARANCE CEILING RECESS KIT (FOR USE WITH WALL SWITCH)

BELOW IS A SIMPLIFIED DIAGRAM OF THE TERMINAL BOX.
ALL CONNECTIONS ADJUSTED BY THE INSTALLER ARE DISPLAYED.
ITEMS NOT DISPLAYED SHALL NOT BE MODIFIED.



WARNING

AC Single Phase Heater must be permanently installed and hard wired by an authorised/licensed person.

This product is designed for use with both 220-240V & 208V Platinum Electric Heaters.

WALL SWITCH SUPPLIED BY CUSTOMER

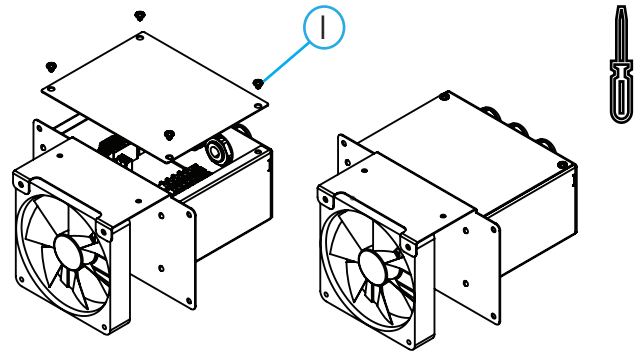
WIRES DENOTED BY DASHED LINES ARE SUPPLIED BY THE INSTALLER.

| | BROWN LIVE/ACTIVE | BLUE NEUTRAL | GREEN/YELLOW EARTH |
|----|----------------------|-----------------|-----------------------|
| OR | HOT LEG 1 | HOT LEG 2 | |
| OR | PHASE A | PHASE B | |
| OR | PHASE B | PHASE C | |
| OR | PHASE C | PHASE A | |

NOTES:

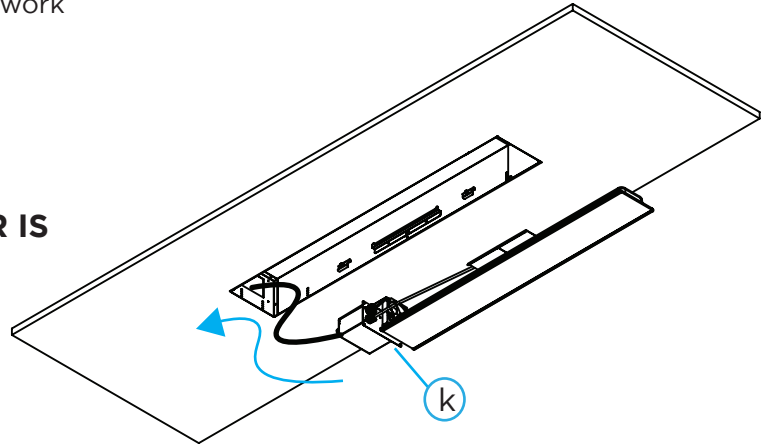
- The ceiling recess kit is designed for the Platinum Electric SII 2300W & 3400W units only.
- Connecting to a 3-phase power system can only be done for 208V versions of the Platinum Electric Heater.

8. Use the supplied 4x M4x4mm screws (l) to close the terminal box.



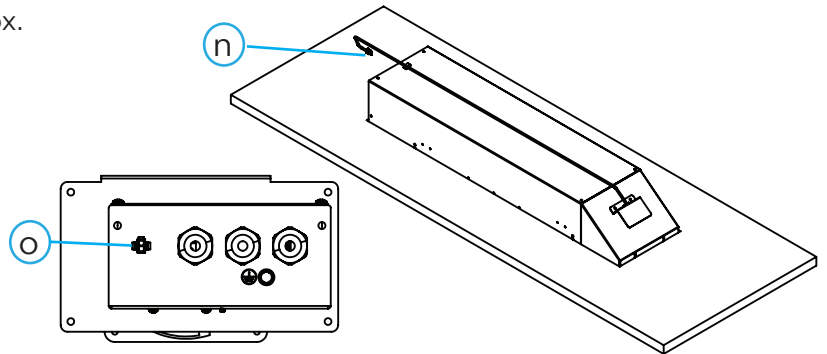
9. Bring the heater and terminal box (k) up onto stable work platform closer to the terminal box cut-out end.

! IMPORTANT
ENSURE THE FRONT GLASS OF THE HEATER IS PROTECTED BEFORE PLACING ON TOP.

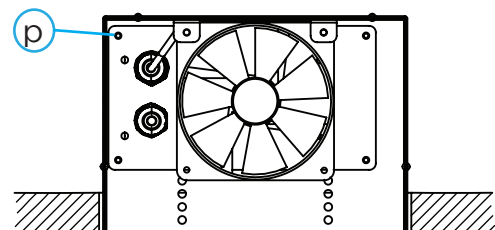


10. Before installing the terminal box - retrieve the thermal cut-off switch cable (n) and plug it into thermal cut-off switch receptacle (o) at the rear of the terminal box.

! WARNING
Heater will not function unless the thermal cut-off switch plug (n) is inserted into receptacle (o) on rear of terminal box.

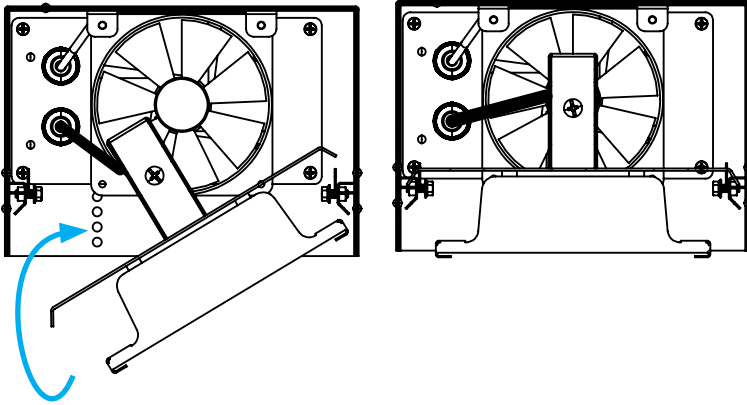
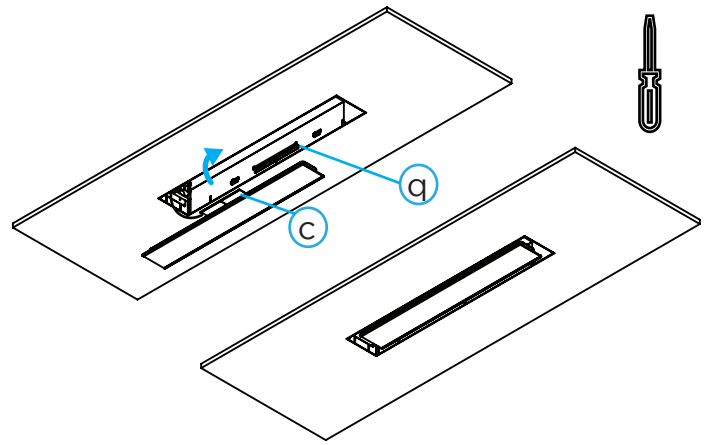


11. Fasten in the terminal box to the heater box using 4 x M4mm screws (p).

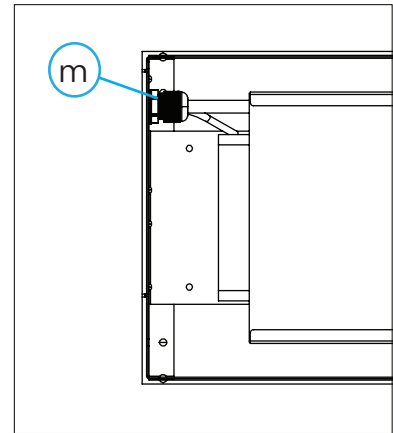


12. Place the heater in place by aligning the heater mounting plate (c) with heater box mounting support (q).

The heater can be rotated in place as shown in the diagram below.

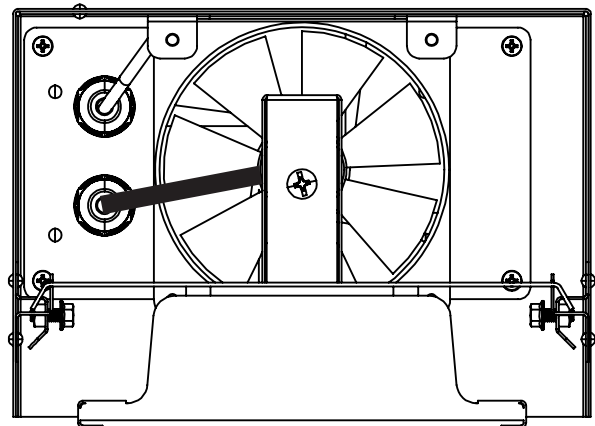
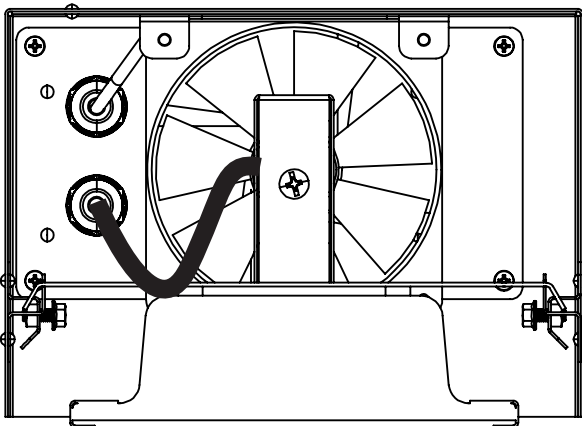


13. Tidy up the heater cable by pushing it through the cable gland (m). Ensure the cable is in tension and not resting on the rear of the heater. Tighten the cable gland.



WARNING

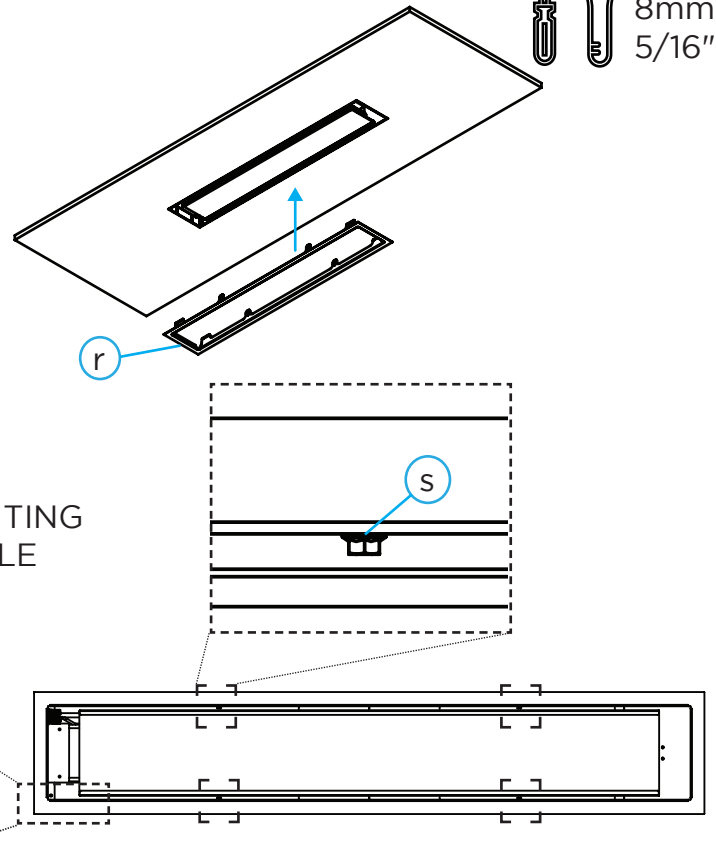
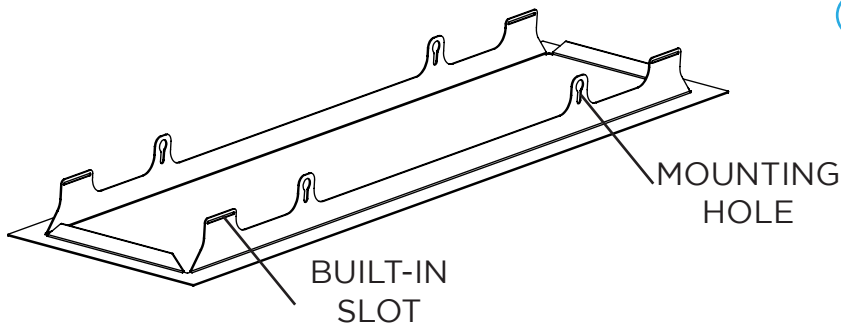
Heater cable must not rest on the rear of the heater otherwise risk of failure.



CEILING RECESS INSTALLATION INSTRUCTIONS CONTINUED ...

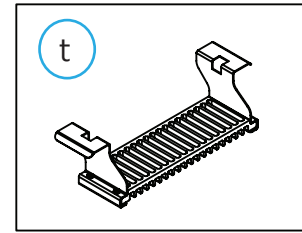
14. Bring the heater trim in place (r), and align the mounting holes on the trim with the pre-installed 4x M5 hex-flange bolts (s).

NOTE: MOUNTING HOLES AND BUILT-IN SLOT FOR STEPS 19 & 22 SHOWN BELOW.



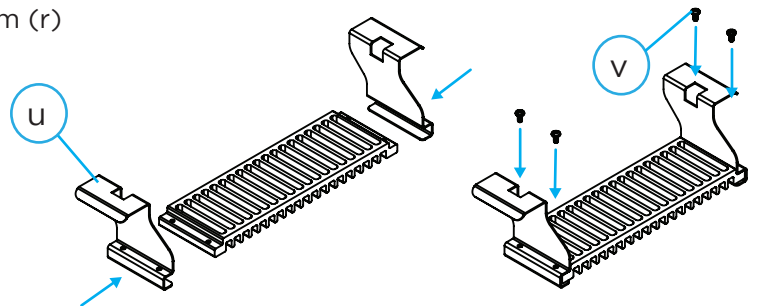
30.5mm (1.2")
TRIM
FLANGE

15. Assemble the 2x vent covers (t) using the vent cover trims (u) and 4x M3x4mm screws (v).

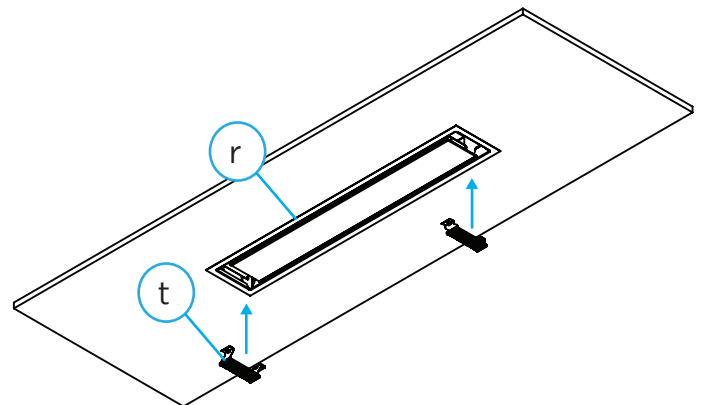
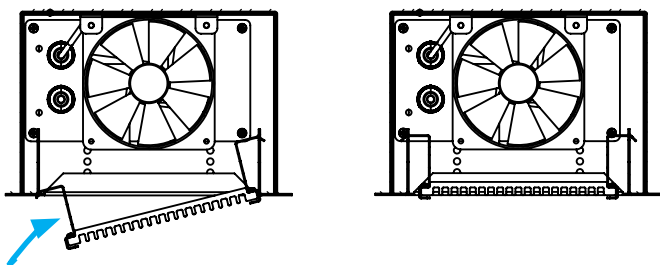


16. Place the vent covers (t) into the ends of the trim (r) using the built in slots.

The heater and vent covers should be shifted to achieve a symmetrical fit.



Placement of the vent covers can be shown in the diagram below.



ELECTRICAL INSTALLATION

1. Check product label for correct voltage and wattage to ensure sure power source conforms to the heaters requirements.
2. The power cable must positioned away from & protected from the enclosure of the heater.
3. Make all connections in accordance with local electrical code regulations. For outdoor installation, all connections must be made in accordance with local electrical code regulations for outdoor wiring. Only use wiring components approved for outdoor use with minimum IPX5 rating.



WARNING

This heater **MUST** be permanently installed by an authorised/licenced person. Do not perform maintenance, or carry out installation or assembly procedure while electrical power is switched on. To disconnect heater, turn off power to heater circuit at main disconnect panel .



WARNING

ELECTRICAL SHOCK HAZARD! Serious injury or death may occur. Disconnect from electrical supply before installing or servicing this heater. Read and follow installation clearance requirements outlined in this manual. The appliance **MUST** be connected to a properly grounded electrical source.

For wiring instructions using Bromic Platinum Smart-Heat Electric Wireless Dimmer BH3130011-1 or ON/OFF Control BH3130010-1 refer to instructions provided with controller.

IMPORTANT: Electronic dimmer controls generate heat during operation. For Bromic heaters installed Bromic SmartHeat Electric Wireless Dimmer BH3130011-1 or ON/OFF Control BH3130010-1 it is essential to ensure dimmers are mounted in a clean, dry and well ventilated position with clearance on all sides. It must be ensured the dimmers are not installed in a confined space, close to other heat generating appliances or in the case of a multi-dimmer installation, not too close together. Dimmers must remain cool at all times. Please consult Bromic dimmer installation instructions for further details or for further questions please contact Bromic technical support services.

SERVICING



WARNING

ELECTRICAL SHOCK HAZARD! Serious injury or death may occur. Disconnect from electrical supply before servicing this heater.



WARNING

Servicing and maintenance **MUST** be carried out by an authorised and licenced service person only. Do not operate any heater after it malfunctions. Disconnect power at service panel and have heater inspected by a reputable electrician before reusing.



WARNING

If the supply cord is damaged, it must be replaced by Bromic, a service agent of Bromic or similarly qualified persons in order to avoid a hazard. Contact Bromic for further information on replacement of the supply cord.

MAINTENANCE

Ensure that the heating unit is not directly exposed to rain or water contact. For longest product life, and to maintain product appearance, mount heater under cover and protect from rain and weather whenever possible.

The exterior housing of the heater should be cleaned fortnightly. To clean the appliance; ensure heater is off, and has been off for at least 2 hours after operation, before wiping off any dirt/dust with a soft damp cloth.

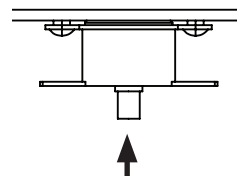
Salt in the air can cause rusting of metal, especially in coastal environment. Additional cleaning of the heater with a soft damp cloth fortnightly will aid in maintaining the product's appearance.

TROUBLESHOOTING

| SYMPTOM | POSSIBLE CAUSE(S) | CORRECTIVE ACTION |
|-----------------|---|--|
| No heat | <ol style="list-style-type: none"> 1. Improper Connection 2. Thermal cut-off switch not plugged in 3. Manual safety thermal switch has reset | <ol style="list-style-type: none"> 1. Check connection to power supply 2. Check thermal cut-off switch is plugged in (see step 16). 3. Reset manual thermal safety switch located inside terminal box (see electrical diagram). |
| Not enough heat | <ol style="list-style-type: none"> 1. Heater too small for application 2. Heater mounted too high or too far 3. Incorrect voltage connected to heater. | <ol style="list-style-type: none"> 1. Add additional heater(s) 2. Decrease mounting height or distance. 3. Check correct supply voltage is provided |
| Too much heat | <ol style="list-style-type: none"> 1. Heater too large for application 2. Heater mounted too low or too close 3. Incorrect voltage connected to heater | <ol style="list-style-type: none"> 1. Replace with smaller heater 2. Increase mounting height or distance 3. Check correct supply voltage is provided. |

Manual Thermal Safety Switch

In the event that the temperatures exceed safe operating limits, the manual thermal safety switch will trigger. This may be due to the fan being damaged or the heater is operating at a high ambient temperature. To reset the switch, push down on the reset button at the middle of the switch. It is located in the terminal box.



WARNING

Ensure circuit is not live before attempting to reset the safety switch.